

CONTROL MODULE CONNECTOR

- 14 1)
- 15 2)
- 16 3)
- 17 4)
- 18 5)
- 19 6)
- 20 7)
- 21 8)
- 22 9)
- 23 10)
- 24 11)
- 25 12)
- 13)

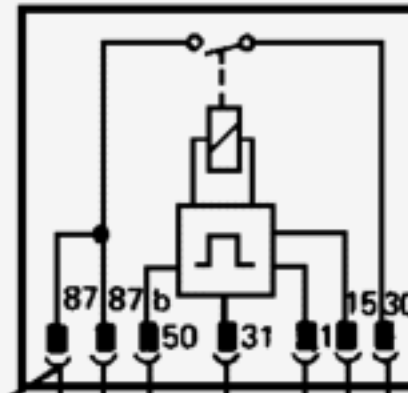
EARTH CONNECTIONS

COOLANT TEMPERATURE SENSOR  
AUX AIR VALVE  
THROTTLE POSITION SENSOR

AIR FLOW METER

INJECTORS

CONTROL RELAY



FUSIBLE LINK J

FUSIBLE LINK R

FUSE 15A

IGNITION SWITCH

IG COIL

NEUTRAL START SWITCH (for A/T)

STARTER

FUSE 7.5A

FUEL PUMP

